

080-7200
Lever Style
Compression Latch



This product is designed for light to medium duty compartment doors, access panels and hoods for off-highway vehicle applications. This lever action fixed grip compression latch offers a long lever handle for increased door closing leverage, simplicity of operation and comfortable grip.

FEATURES/BENEFITS:

- Two hook design works with strikers up to 10mm in diameter providing a high level of resistance to vibration and wear
- Over-center action prevent accidental opening due to shock or vibration
- 4mm compression dampens vibration and helps reduce noise and rattle
- Stylish handle cover provides a comfortable grip

Global Locations:

TriMark Corporation
500 Bailey Avenue
P.O. Box 350
New Hampton, Iowa 50659
United States
Tel: 641-394-3188
Fax: 641-394-2392
1-800-447-0343
www.trimarkcorp.com

TriMark Europe
Cedar Court
Walker road
Bardon Hill
Coalville LE67 1TU
United Kingdom
Tel: +44(0)1530 512460
Fax: +44(0)1530 512461
www.trimarkeu.com

TriMark (Xuzhou)
Building A5 Jingwu Road
Xuzhou Economic
Development Zone
Xuzhou, Jiangsu
221004 PR China
Tel: +86 516 8773 0018
Fax: +86 516 8773 0058
www.trimarkcn.com



TriMark. Interactive. Product. Selector



TriMark



TriMark Corporation

AVAILABLE:

- 8mm padlock hasp
- Key locking provision to add a cam lock for increased security

MATERIAL:

- Robust all steel reinforced construction
- Handle cover: Black engineered plastic
- Springs: Stainless steel

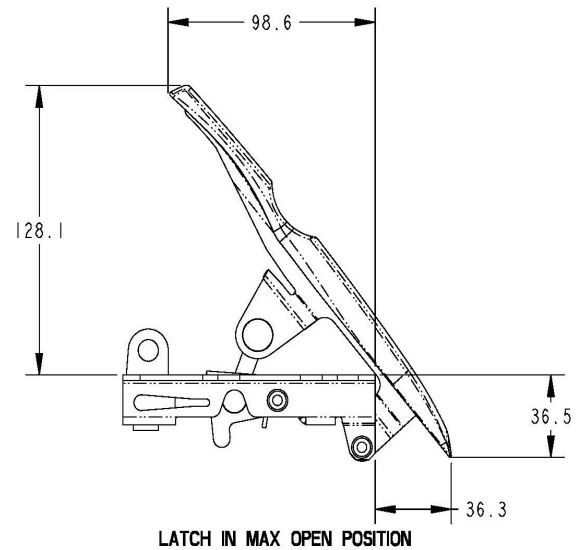
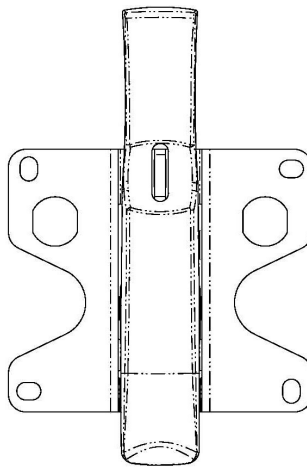
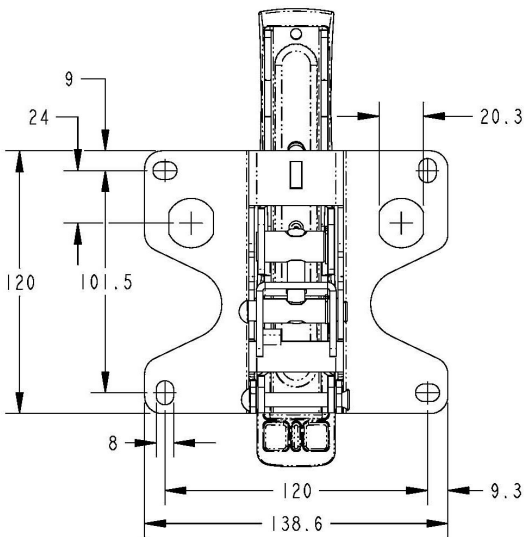
FINISH:

- Black zinc plated

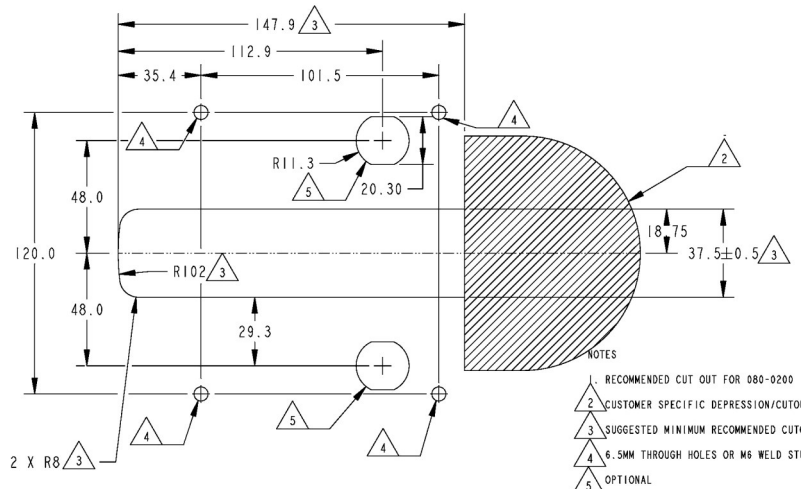
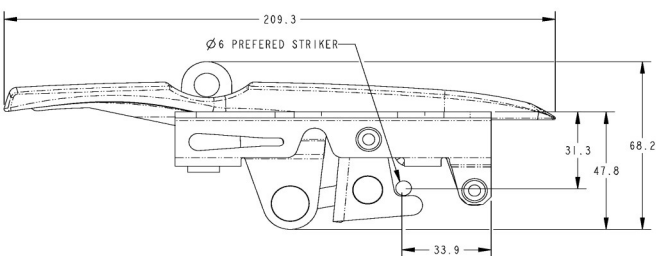
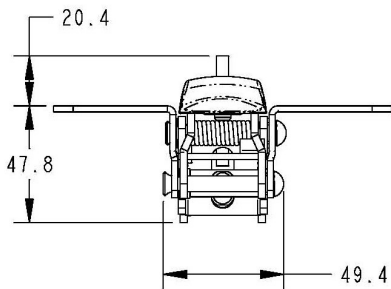
INSTALLATION:

- (4) M6 or 1/4" fasteners (not included)
- Latch mounts from inside of door panel providing a clean exterior appearance
- Optional lock cylinder may be installed after the latch has been assembled into the door (not included)

Individual part dimensions are for reference only. Refer to individual part drawings for complete dimensions, specifications, and installation procedures. Engineering assistance and application drawings are available.



For more information visit
www.trimarkcorp.com



- NOTES
1. RECOMMENDED CUT OUT FOR 080-0200
 2. CUSTOMER SPECIFIC DEPRESSION/CUTOUT AREA
 3. SUGGESTED MINIMUM RECOMMENDED CUTOUT
 4. 6.5MM THROUGH HOLES OR M6 WELD STUDS RECOMMENDED
 5. OPTIONAL